



SOUNDER W/SELECTABLE TONES

PRODUCT DATASHEET



Description

The Sounder with Selectable Tones is used to audibly alert staff. Sound is an important part of the System as a whole - in order for colleagues to respond they must be aware that a call has been made.

The Sounder provides an alarm tone when the System has been activated. In general this will be a constant tone for an Emergency Call, whereas an Assistance Call may sound an intermittent tone. There are up to 32 different setups for the Sounder, meaning that different tones can be implemented to suit the needs of the end user. The decibel level can also be set and ranges up to 110Dbs.

Mounting & Design

The unit should be located in the ceiling or wall mounted. Consideration should also be given to the condition of the surface to which the sounder is to be mounted: It must be free from damp/moisture, not be subject to any shock or vibration, and be secure enough to allow a good fixing for the unit.

Specification

P2 Sounder Product Codes

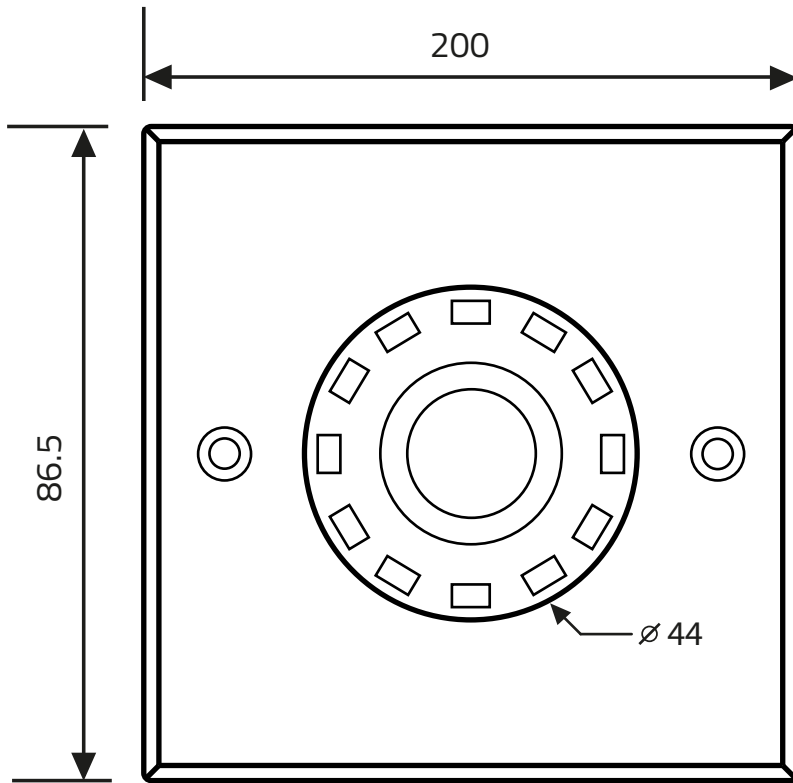
P2 Sounder with Selectable Tones

(Code: P2SOUND)

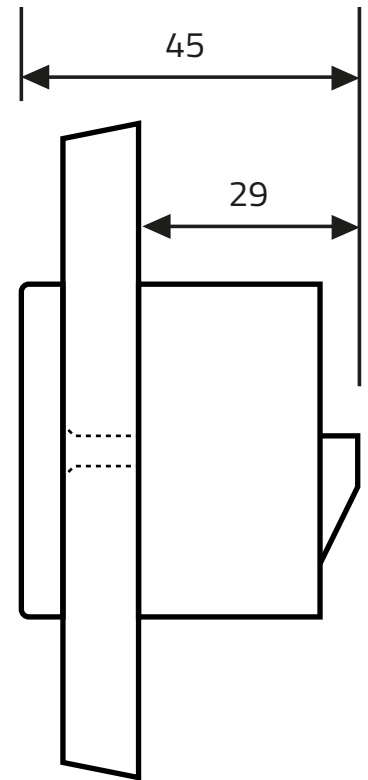
Physical Specification

Power Source: 12v to 13v DC
Current Drawn: 9mA (when triggered)
Backbox: Single Gang 35mm
Weight: 107.2g

Physical Dimensions
(All dimensions in mm)



Front



Side